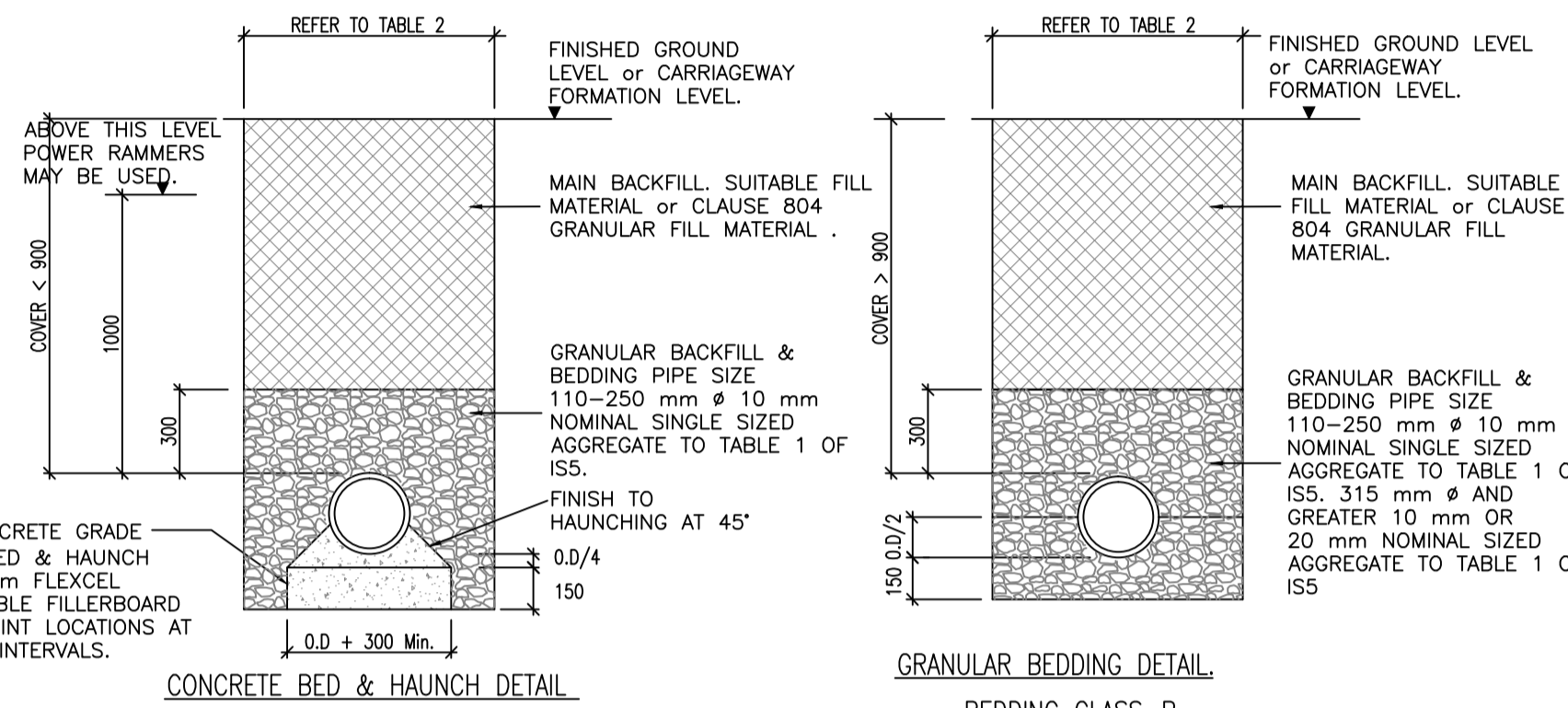


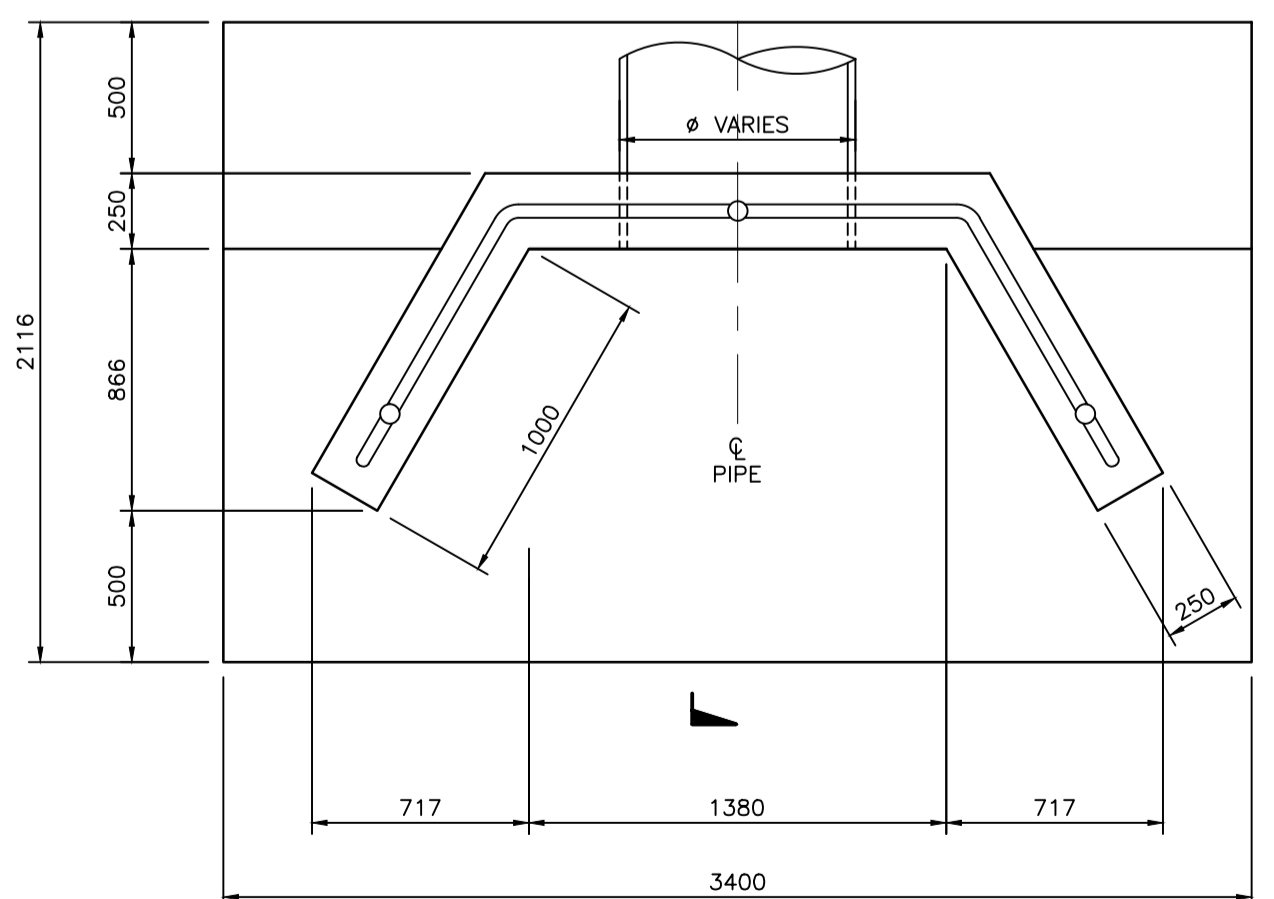
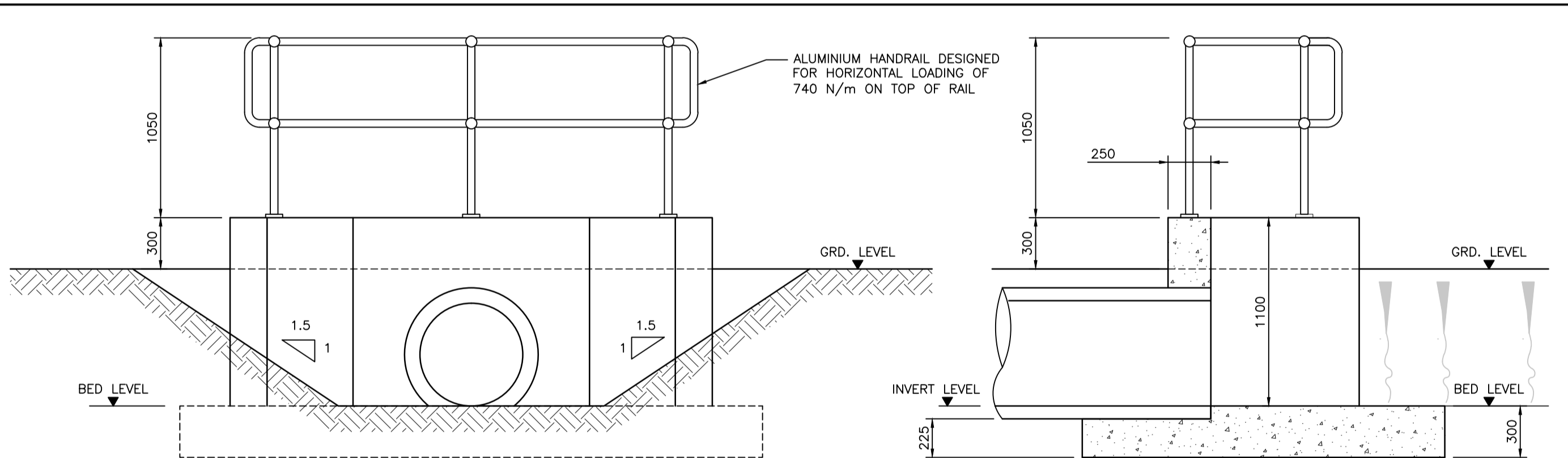
uPVC DRAINS/SEWERS IN TRAFFIC AREAS. (ROADS, FOOTPATHS & DRIVEWAYS)



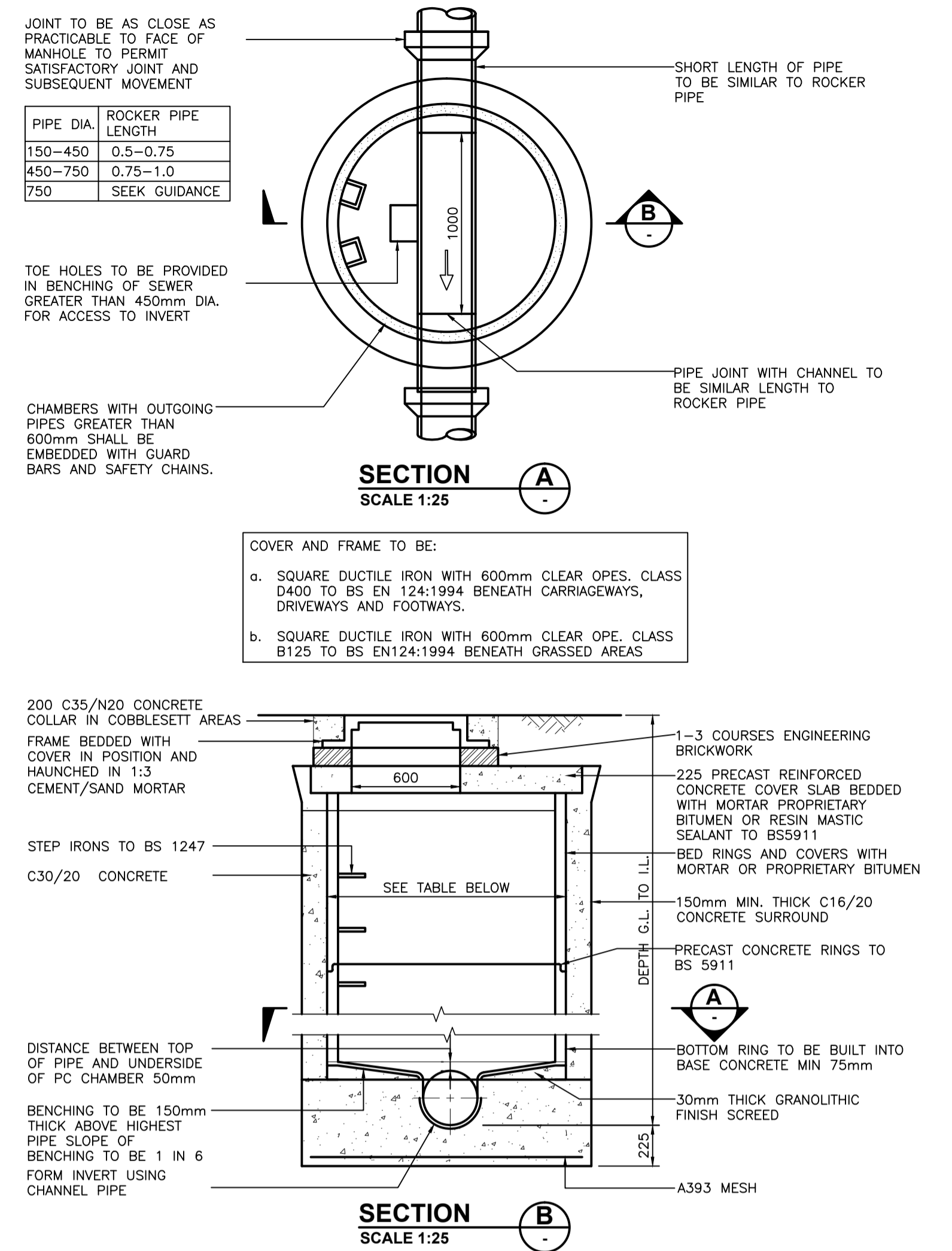
uPVC DRAINS/SEWERS IN OPEN SPACES (PLANTED AREAS)

TABLE 2
 TRENCH WIDTH FOR uPVC SEWERS

NOMINAL PIPE SIZE (mm)	WIDTH OF TRENCH (mm)	
	MIN.	MAX.
110	450	600
160	450	600
200	600	700
225	600	700
250	600	700
315	700	850
355	750	900
400	800	950
450	850	1000



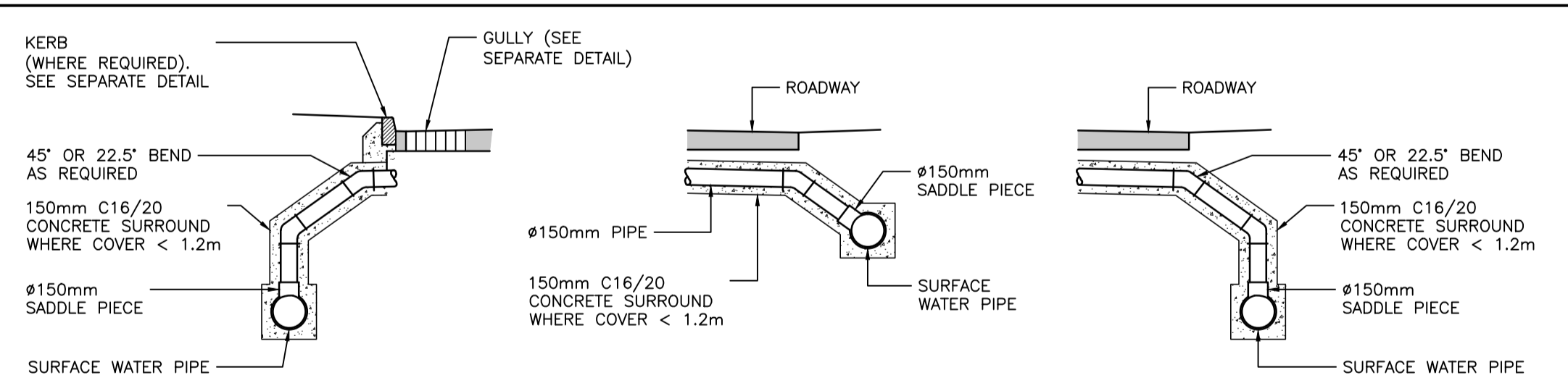
DETAIL 14.0 STREAM CROSSING HEADWALL



TYPICAL PRECAST RING MANHOLE, DEPTH TO SOFFIT 0-3m

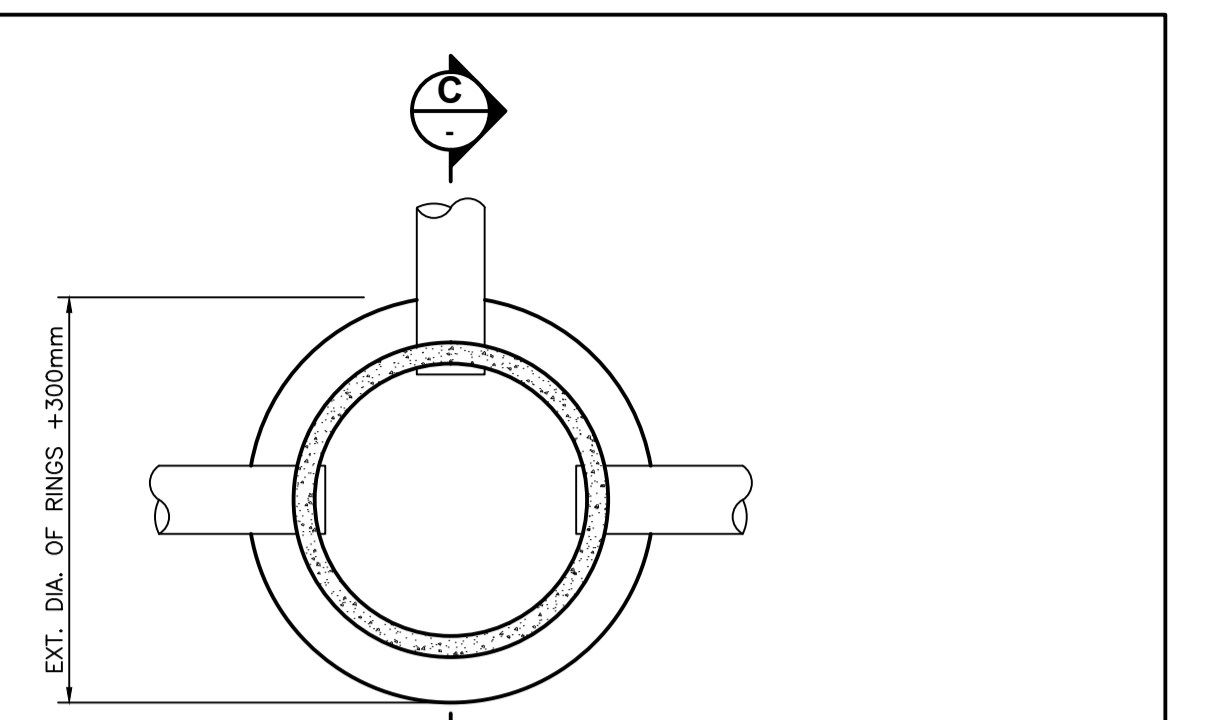
DEPTH G.L. TO I.L.	PIPE DIAMETER					
	150	225	300	375	450	600
A 0-1m	1050	1050	1050	1350	1350	1500
B 1-3m	1200	1200	1200	1350	1350	1500
C 3-5m	1200	1200	1200	1350	1350	1500
D 5m OR GREATER	1500	1500	1500	1500	1500	1500

DETAIL 15.0 MANHOLE

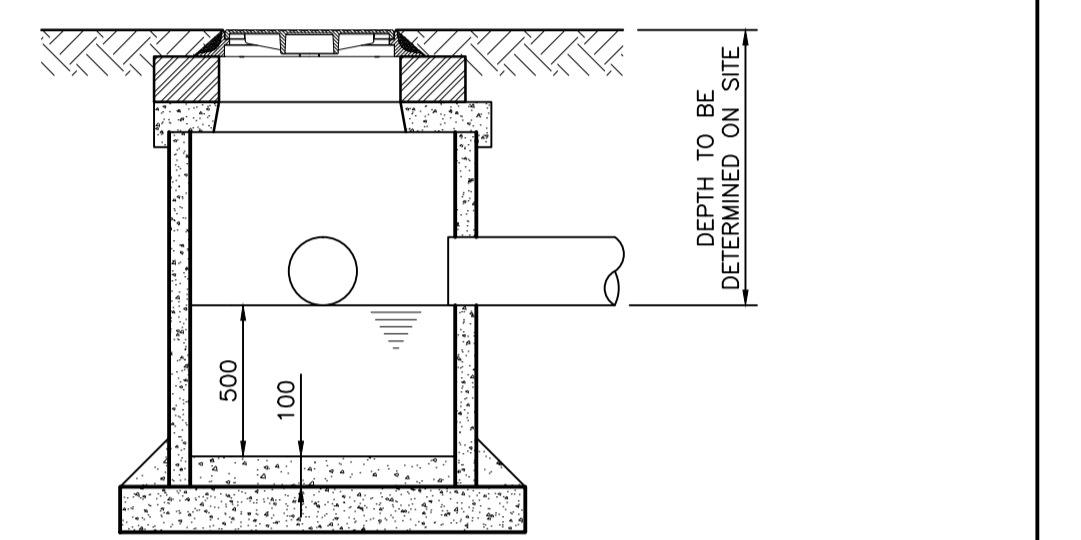


DETAIL 17.0 GULLY CONNECTIONS

NOTES:
 1. TO BE READ IN CONJUNCTION WITH DRAINAGE LAYOUT DRAWINGS QR320171-MWC-P-7010 TO 7019.



DETAIL 16.0 CATCHPIT



CATCH PIT NOTES:
 1. CONSTRUCTION APPLIES TO GOOD GROUND CONDITIONS. NOTIFY ENGINEER IF DOUBTFUL GROUND IS ENCOUNTERED.
 2. FIRST TWO PIPES ON EACH RUN TO HAVE FLEXIBLE JOINTS AND TO BE MANUFACTURER'S SHORTEST LENGTHS.

0	19.08.15	ISSUED FOR PLANNING	SB	TK	TB	FQ
REV.	DATE	REVISION DESCRIPTION	DRN	PRO	VER	APP

PURPOSE OF ISSUE - PRELIMINARY UNLESS INDICATED
 TENDER CLIENT APPROVAL CONSTRUCTION AS-BUILT REVISED

Client **ESB WIND DEVELOPMENT LTD.**

Project **GROUSEMOUNT WIND FARM**

Contract **PLANNING APPLICATION**

Drawing Title **DRAINAGE DETAILS SHEET 2**

Production Unit **WIND DEVELOPMENT**

ESB Energy for generations
 ESB Wind Development Ltd., Stephen Court, 18-21 St. Stephen's Green, Dublin 2, Ireland Tel: +353 (0)1 703800
 Web: www.esb.ie
 Registered Office: as above Registered in Ireland No. 471139

DRAWN	PRODUCED	VERIFIED	APPROVED	APPRO DATE
S. Bolton	T. Kearns	T. Bree	F. Quigley	19.08.2015
CLIENT REF	No. of Sheets	SIZE	REV	SCALE
	1	A1	0	1:25

DRAWING NUMBER **QR320171-MWC-P-7002**

COPYRIGHT © ESB
 All rights reserved. No part of this work may be modified or reproduced or copied in any form or by any means, graphic, electronic or mechanical, including photocopying, recording, taping or information-and-retrieval system, or used for any purpose other than its designated purpose, without the written permission of the ESB.